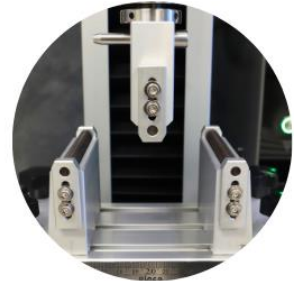


LONG TRAVEL EXTENSOMETER



Ordering Information



Tech-Quality Co.,Ltd.



Call : +662-3286878



2/13 Sukapiban 2 Rd.,
Pravet,Pravet, Bangkok 10250
Thailand



+662-3286818



www.tech-quality.com



info@tech-quality.com

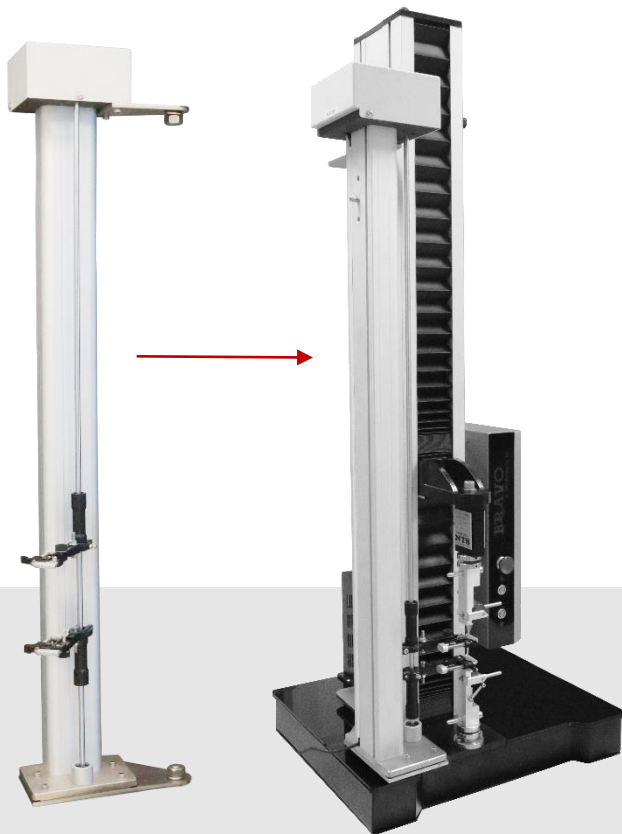
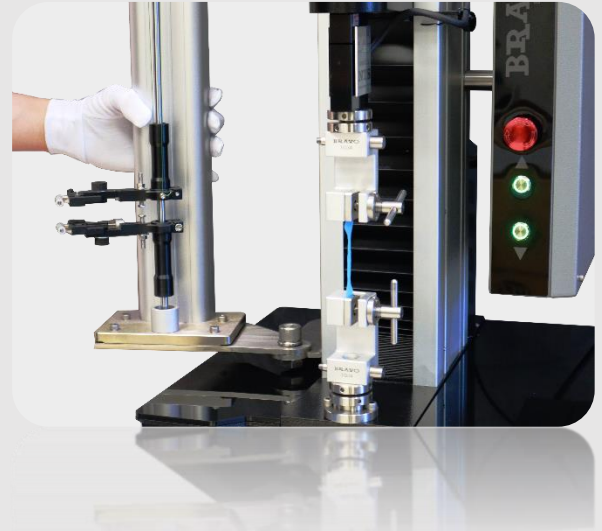
@techquality



Description

Extensometer is an important accessory used for measuring the elongation of materials. Long travel extensometer is suitable for materials with elongation higher than 20%, commonly used on dumbbell-shape specimen made from rubber, plastic, PE, fabric, webbing materials.

The extensometer is able to link to Bravo universal testing machines and auto-detect the deformation of test piece during test.



Specification

Gauge Length 10, 20, 25, 30, 50 mm (Based on your requirements)

Resolution : 0.0125mm

Min Load : 20g

Test Stroke : EXT-700mm , EXT1100mm

Thickness of Specimen : 0.1-10 mm (Customer requirements)

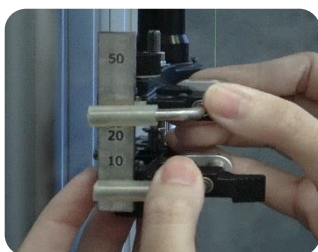
Mounting Type : Fixed bracket / Revoluble bracket

Dimension : EXT700 : W15.0xD10.5xH103.7 cm

: EXT1100 : W15.0xD10.5xH148.7 cm

Weight : 8.6Kg

Clamp Types



Positioning tool is used to adjust the gauge length of extensometer. It has five intervals : 10mm, 20mm, 25mm, 30mm and 50 mm

Features

1. It can clamp on the specimen to do break action and do not need to dismantle the extensometer for convenience to use
2. It can be repair & maintenance and do not need to repurchase new one when the extensometer has problem.
3. Perfect for testing rubber and elastomers to ASTM D412 , ASTM D638 and ISO 37

Fixed base for single-columned model

