

BRAYO
By Tech Quality Co.,Ltd.

— Digital Force Gauge
With External Load



Ordering Information



Tech-Quality Co.,Ltd.



Call : +662-3286878



2/13 Sukapiban 2 Rd.,
Pravet,Pravet, Bangkok
10250 Thailand



+662-3286818



www.tech-quality.com



info@tech-quality.com

@techquality



Digital Force Gauge With External Load



The XDFG Series digital force gauges provide additional tension and compression testing flexibility with their external load cell input.

External load cells are immediately recognized when connected to the display base.

Three styles of load cells are available for your specific testing needs.



Specification

Accuracy : +/- 0.2%FS
Capacitive Touch Key Operations
Automatic reversible display
Safe Overload 150%
Memory : 1000 Data (Auto or Manual record)
Automatic load cell identification
5 Point Calibration Linearization.
Power : 3.6Vdc 800mAH Ni-MH rechargeable
Charger : USB/BM Charge
Selectable Unit : N, KN, lbf, kgf, tf
Mode : Peak, Auto Peak or Track
Data Sampling Rate : 1000 Hz
Weight : 0.6 kg

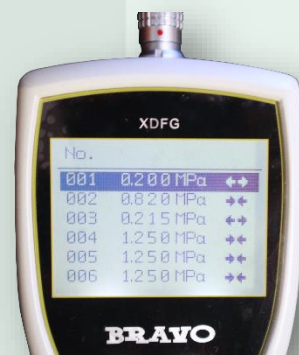


Sensor Adapter Connection

LCD Screen

Capacitive Touch Keys

Heavy-duty Aluminum Body



Memory 1000 Data



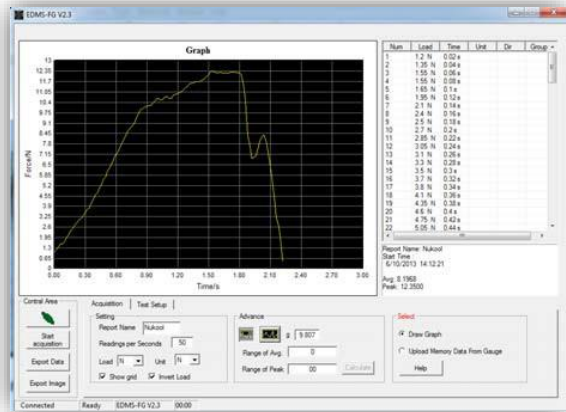
Diagram Graph

Ordering Details

| Model | Load cell | Capacity / Resolution | | | | | Tension & Compression |
|------------|-----------|-----------------------|----------|-------------|----------|----------|-----------------------|
| | | N | kgf | lbf | KN | tf | |
| XDGFS-1K | S Type | 1000/0.1 | 100/0.01 | 220/0.05 | | | |
| XDGFS-2K | S Type | 2000/0.5 | 200/0.05 | 450/0.1 | | | |
| XDGFS-5K | S Type | 5000/1 | 500/0.1 | 1100/0.1 | | | |
| XDGFS-10K | S Type | 10000/1 | 1000/0.1 | 2250/0.5 | 10/0.001 | | |
| XDGFS-20K | S Type | | 2000/0.5 | 4500/1 | 20/0.005 | | |
| XDGFR-10K | Ring type | 10000/1 | 1000/0.1 | 2250/0.5 | 10/0.001 | | |
| XDGFR-20K | Ring Type | | 2000/0.5 | 4500/1 | 20/0.005 | | |
| XDGFR-50K | Ring Type | | 5000/1 | 1.1k/0.005k | 50/0.01 | 5/0.001 | |
| XDGFR-100K | Ring Type | | | 2.2k/0.005k | 100/0.01 | 10/0.001 | |
| XDFGR-200K | Ring Type | | | 4.4k/0.01k | 200/0.05 | 20/0.005 | |

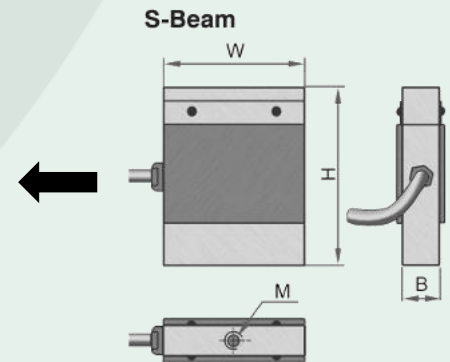
Compression only

Software Force Gauge

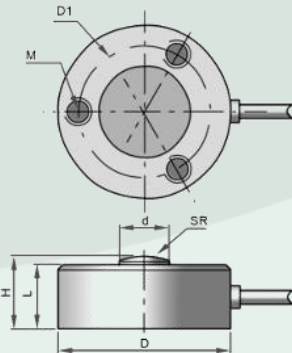


Free BRAVO software expands the functionality of your BRAVO Series digital force gauge. This all-new and easy-to-use Windows based package interfaces directly to your digital force gauge. You may perform break tests, limits tests and Preload setup. You can download database results from the gauge

| Model | Dimensions S Type | | | |
|------------|-------------------|------|------|---------|
| | W | H | B | M |
| XDFGS-1KN | 51 | 76.2 | 19 | M12 |
| XDFGS-2KN | | | | |
| XDFGS-5KN | | | | |
| XDFGS-10KN | 76.2 | 108 | 25.4 | M18*1.5 |
| XDFGS-20KN | | | | |



Ring Type



| Model | Dimensions Ring Type | | | | | |
|------------|----------------------|----|----|----|-----|-------|
| | D | d | l | H | D1 | M |
| XDFGR-10K | 82 | 22 | 32 | 44 | 68 | 4-M8 |
| XDFGR-20K | | | | | | |
| XDFGR-50K | | | | | | |
| XDFGR-100K | 126 | 35 | 40 | 54 | 101 | 4-M10 |
| XDFGR-200K | | | | | | |

Optional Accessories

Mini Thermal printer



Paper roll width 58 mm
 Paper roll diameter ≤ 30mm
 Power Ni-HM battery, 700mAh
 Dimension 90X76X36mm
 Weight 220g (except paper roll)

Dimensions

