



Customer Service and Product
Quality Are Our No.1 Priority

Terwin Model T1500 Comparison Test Pump



Application:

Site calibration of pressure transducers, transmitters, analogue gauges and pressure switches.

Features:

Pressure Range: 0-1,200 bar
(0-17,400psi)

Accuracy:
Subject to master gauge used.

Description:

The Terwin model T1500 comparison test pump is a hydraulic comparison test pump for generating pressure up to 1,200 bar. The integrated dual-area spindle pump with switching valves enables rapid filling of the test system and smooth pressure generation. At the same time, the precisely adjustable spindle pump also serves for pressure fine adjustment. A control schematic for pressure generation on the instrument base facilitates quick and easy operation.

The two test connections are equipped with G ½ female loose union connections. Corresponding thread adapters are available for the calibration of instruments with different connection threads.

Compact instrument design:

The Terwin model T1500 is also particularly notable for its compact dimensions, which are not altered during operation, since the spindle runs within the pump body. With those dimensions, the exceptionally robust ABS plastic housing and the low weight associated with these, the Terwin model T1500 is also particularly suited for on-site applications.

Special Features:

Precisely adjustable dual area spindle pump for filling, pressure generation and fine adjustment of pressure.

Freely rotating connections – test instruments may be rotated to assist in suitable viewing angle.

Compact design. Dimensions:
401 x 397 x 155 mm (W x D x H)

Low weight – 13.5Kg

Terwin Instruments Ltd, Winterbeck Industrial Estate, Orston Lane, BOTTESFORD, Nottinghamshire, NG13 0AU – UK
Tel: +44 (0) 1949 84 2000 Fax: +44 (0) 1949 84 2004 E-mail: info@terwin.com www.terwin.com



Customer Service and Product
Quality Are Our No.1 Priority

Terwin Model T1500 Comparison Test Pump

Specifications:	Model T1500
Pressure range	0 ... 1,200 bar
Pressure transmission medium	Hydraulic fluid from mineral oil / clean water, free of calcium-carbonate 1)
Reservoir	170 cm ³
Pressure connections:	
Test item connection	2 x G ½ female thread, loose union connection, incl. adapter set to G ½, G ¾ and G 1 ¼ female threads
Distance between test connections	290 mm
Piston of spindle pump:	
Piston diameter, low-pressure piston	31.2 mm
Piston diameter, high-pressure piston	12.7 mm
Displacement	approx. 10 cm ³
Material:	
Wetted parts	Austenitic stainless steel, high tensile brass, nitrile rubber
Permissible ambient conditions:	
Operating temperature	0 ... 40 °C / 32°F ... 104°F
Instrument base:	
Dimensions	401 x 397 x 155 mm (W x D x H)
Weight	13.5 kg
1)	Other pressure transmission media available on request.
Storage case (option):	
Material	Wood
Dimensions	664 x 614 x 380 mm (W x D x H)
Weight	8.5 kg
CE conformity:	
Pressure equipment directive	97/23/EC (PS > 1,000 bar; Module A, pressure accessory)

Terwin Instruments Ltd, Winterbeck Industrial Estate, Orston Lane, BOTTESFORD, Nottinghamshire, NG13 0AU – UK
Tel: +44 (0) 1949 84 2000 Fax: +44 (0) 1949 84 2004 E-mail: info@terwin.com www.terwin.com



Customer Service and Product
Quality Are Our No.1 Priority

Terwin Model T1500 Comparison Test Pump

Model T1500 Standard Contents:

Base

Dual-area spindle pump for filling, pressure generation and fine pressure adjustment

2 test connections with G ½ female thread, loose union connection

Adapter set for test item connection, G ½ B male to G ¼ and G ⅜ female threads

VG22 mineral oil (0.5 litre)

Tool and maintenance set consisting of:

1 hexagon wrench key 3 mm A/F

2 x 30 mm A/F open-ended spanners

1 spirit level

4 level plates

1 bag of seals

1 pointer punch

1 pointer remover

1 test item connection

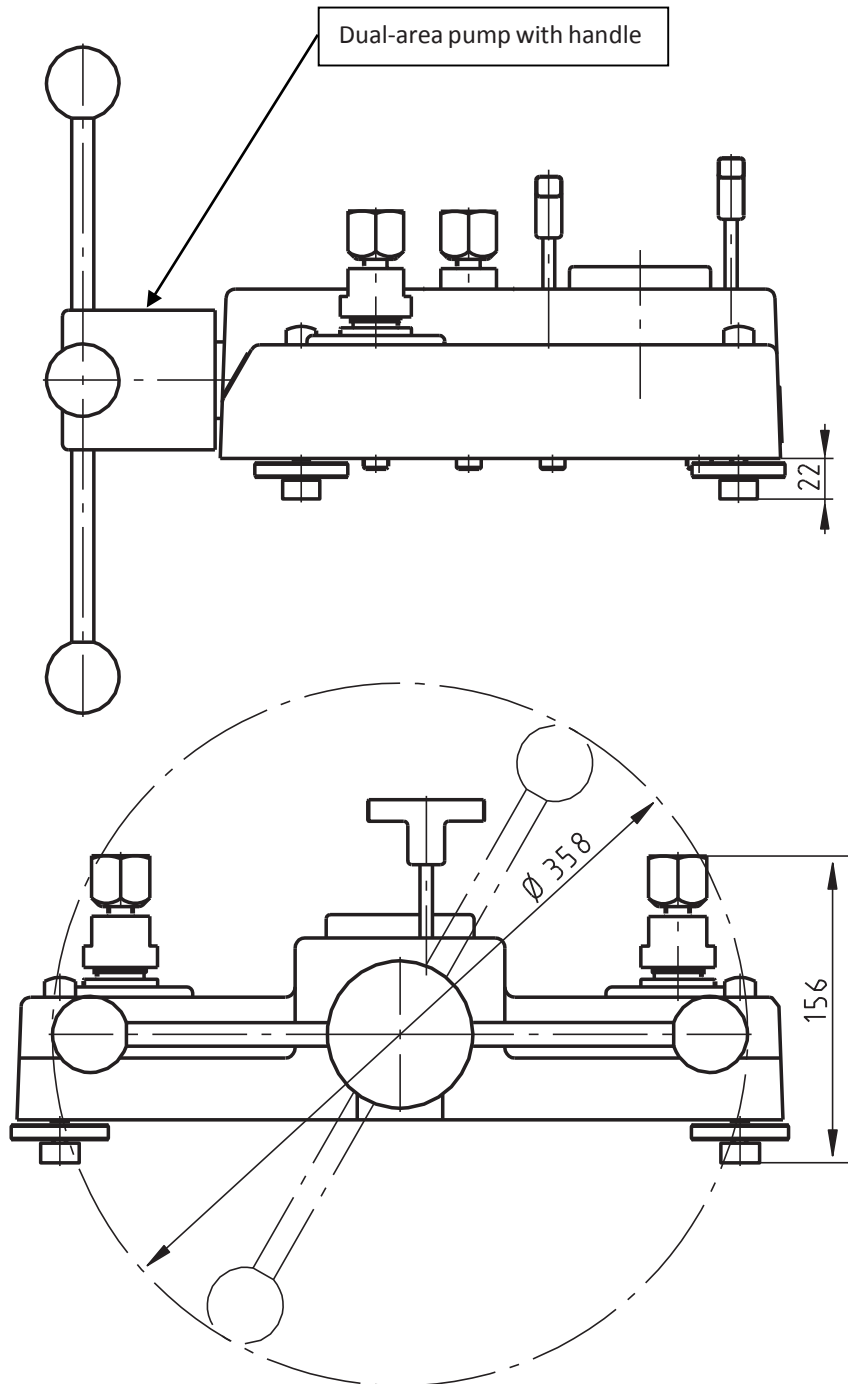
Operating instructions

Model T1500 Options:

Item	Terwin Part No:
Storage case for T1500 instrument base.	110-9001
"BSP" adapter set for G ½ B male test item connector to G ⅛, G ¼, G ⅜ and G ½ female.	110-9002
"NPT" adapter set for G ½ B male test item connector to ⅛ NPT, ¼ NPT, ⅜ NPT and ½ NPT female.	110-9003
"Metric" adapter set for G ½ B male test item connector to M12 x 1.5 and M20 x 1.5 female.	110-9004
Adapter for test item connection, G ½ B male on M16 x 1.5 male with sealing cone, material: stainless steel hardened.	110-9005
Test item connection piece, G ⅜ female to G ½ female, loose union connection.	110-9006
90° angle connection, for test items with back mounting connection.	110-9007
Sealing and maintenance set for instrument base, standard version.	110-9008
Hydraulic fluid based on VG22 mineral oil in plastic bottle, content 0.5 litre.	110-9010
Tool set consisting of open-ended spanner, BSP adapter, replacement seals, pointer remover and pointer punch.	110-9011

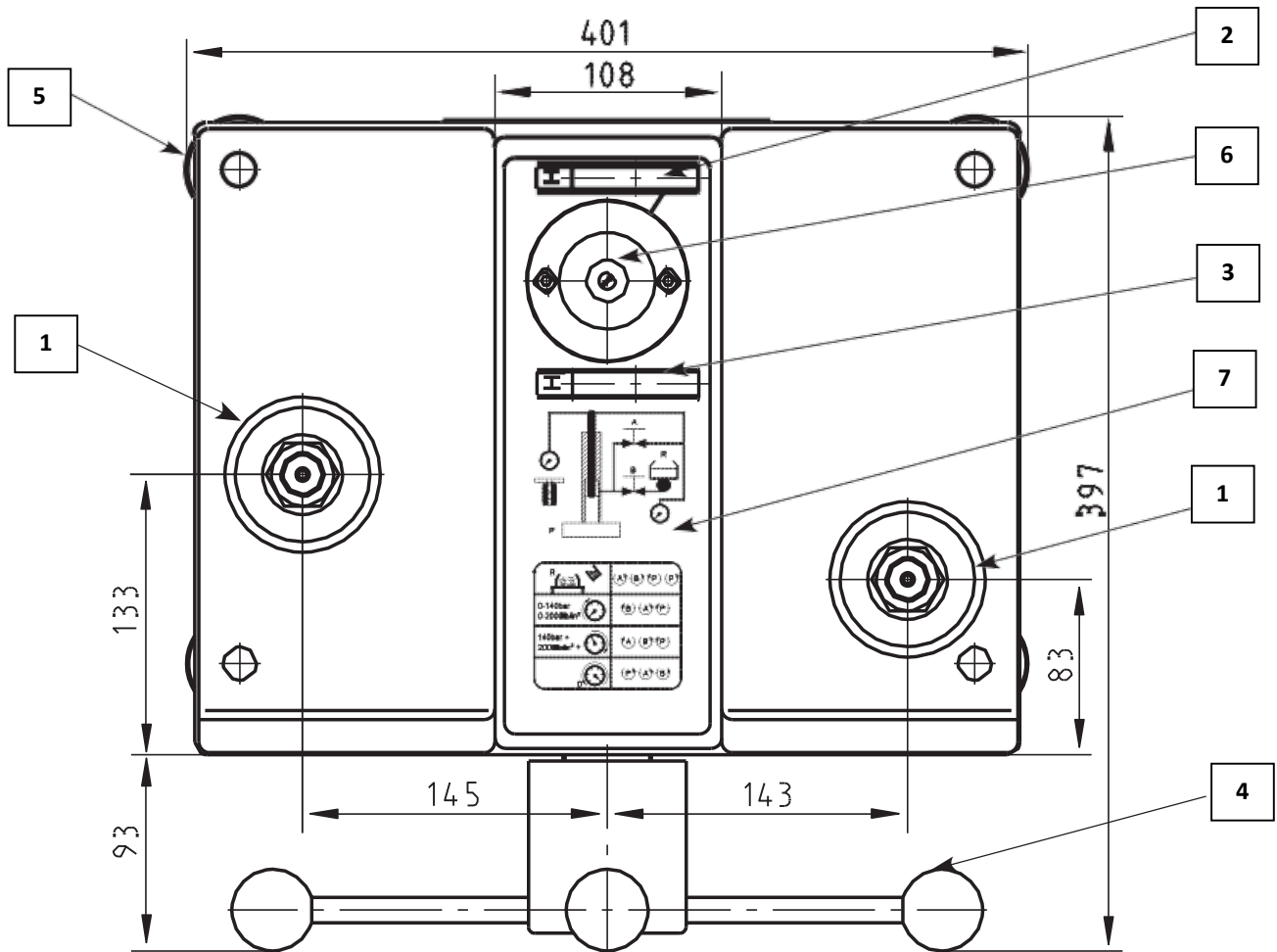
Terwin Instruments Ltd, Winterbeck Industrial Estate, Orston Lane, BOTTESFORD, Nottinghamshire, NG13 0AU – UK
Tel: +44 (0) 1949 84 2000 Fax: +44 (0) 1949 84 2004 E-mail: info@terwin.com www.terwin.com

Dimensions:

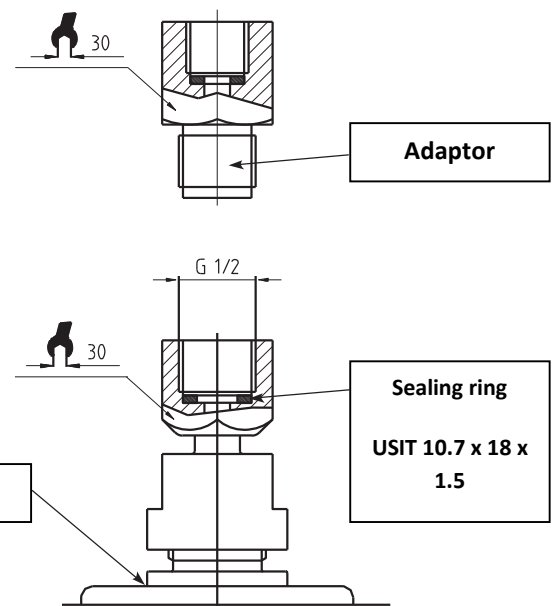


Customer Service and Product
Quality Are Our No.1 Priority

Dimensions:



1. Test connections
2. High-pressure shut-off valve
3. Low-pressure shut-off valve
4. Dual-area pump with star handle
5. Rotatable feet
6. Reservoir with sealing plug
7. Pressure generation control schematic





Terwin Model T1500 Comparison Test Pump

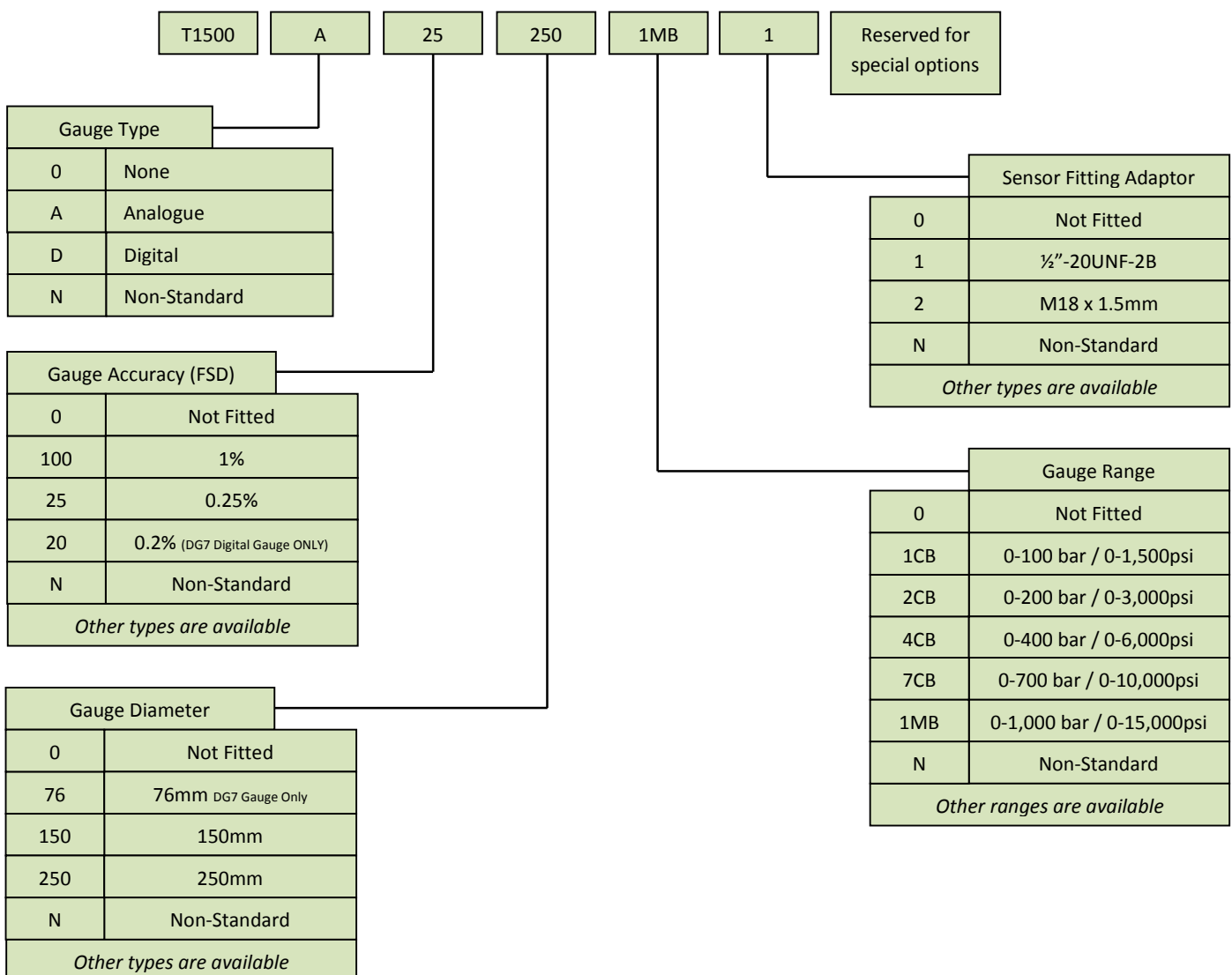
Customer Service and Product
Quality Are Our No.1 Priority

T1500 Part Numbers:



Example:

Terwin T1500 comparison test pump. Fitted with 1/4% accuracy, 250mm O.D. gauge, scaled 0-1,000 bar / 0-15,000psi gauge with mirror dial. Fitted with 1/2-inch 20UNF to 1/2-inch B.S.P. pressure adaptor port.



Terwin Instruments Ltd, Winterbeck Industrial Estate, Orston Lane, BOTTESFORD, Nottinghamshire, NG13 0AU – UK
Tel: +44 (0) 1949 84 2000 Fax: +44 (0) 1949 84 2004 E-mail: info@terwin.com www.terwin.com