

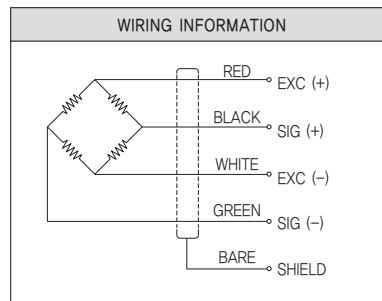
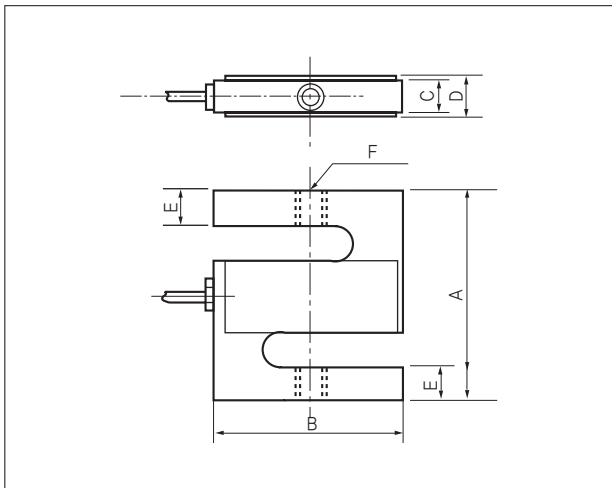
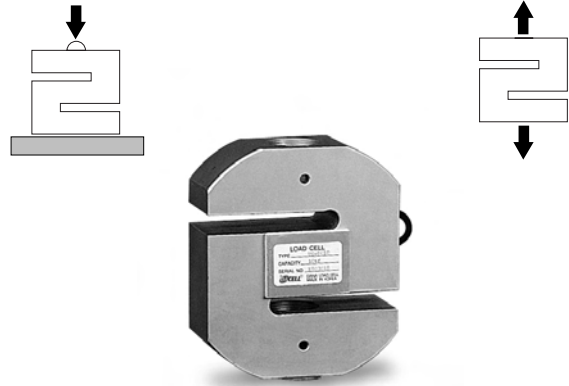
UNIVERSAL LOAD CELL

> Model UU

Compact size.

These are extremely accurate and compact Tension/Compression load cell.

Protection Class IP65



> SPECIFICATIONS

Specifications	Accuracy
Rated capacity(R.C.)	2kg, 5kg, 10kgf, 20kgf, 50kgf, 100kgf, 200kgf, 500kgf, 1tf, 2tf, 3tf, 5tf, 10tf
Rated output(R.O.)	2.0mV/V±1%(2kgf, 5kgf:1.5mV/V±1%)
Nonlinearity	0.03% of R.O.
Hysteresis	0.03% of R.O.
Repeatability	0.03% of R.O.
Zero balance	±2% of R.O.
Temperature effect, on rated output	0.05% of LOAD/10°C
Temperature effect, on zero balance	0.1% of R.O./10°C
Temperature range, compensated	-10~60°C
Temperature range, safe	-20~80°C
Terminal resistance input	350±50Ω
Terminal resistance output	350±2Ω
Insulation resistance bridge/case	2000MΩ
Excitation recommended	10V
Safe overload	150% R.C.
Cable length	2kg~5kg : Ø3mm 4core, 3m / 10kg~10tf : Ø5mm 4core, 3m

> DIMENSIONS TABLE

unit:mm

Capacity	A	B	C	D	E	F	Weight(kg)
2kgf (19.61N)	60	50	13	16	10	M6×1	0.4
5kgf (49.03N)	60	50	13	16	10	M6×1	
10kgf (98.07N)	70	52	13	18	13	M6×1	
20kgf (196.1N)	70	52	13	18	13	M6×1	
50kgf (490.3N)	70	52	18	24	13	M12×1.75	
100kgf (980.7N)	70	52	18	24	13	M12×1.75	0.8
200kgf (1.961kN)	70	52	18	24	13	M12×1.75	
500kgf (4.903kN)	70	62	22	25	15	M12×1.75	2
1tf (9.807kN)	70	62	22	25	15	M12×1.75	
2tf (19.61kN)	96	84	30	35	21	M20×1.5	3
3tf (29.42kN)	120	96	35	41	30	M24×2	
5tf (49.03kN)	120	96	40	44	30	M24×2	8.5
10tf (98.07kN)	165	140	60	66	46	M39×2	

★Specifications are subject to change without notice.