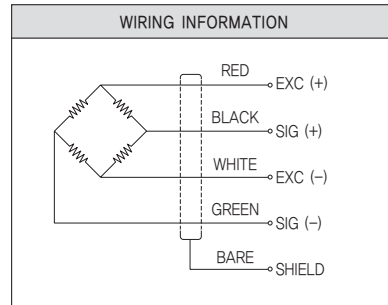
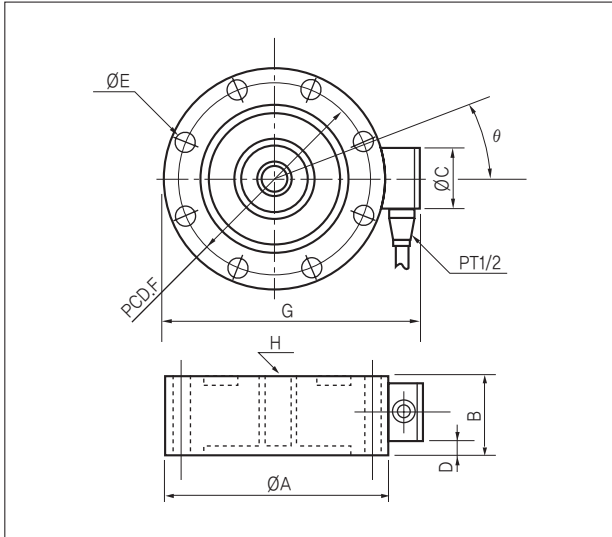
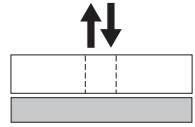


LOW PROFILE TENSION OR COMPRESSION LOAD

> Model UL

Applicable for both compression and tension methods.
Being tough against twisting momentum, most suitable for load fatigue testing repeat test of load etc.
ULM : Protection Class IP67



> SPECIFICATIONS

Specifications	Accuracy	
	ULM	ULH
Rated capacity(R.C.)	500kgf, 1tf, 2tf, 5tf, 10tf, 20tf, 350tf, 100tf, 200tf, 300tf, 500tf 2mV/	500kgf, 1tf, 2tf, 5tf, 10tf, 20tf, 50tf
Rated output(R.O.)	V±0.1%	2mV/V±0.1%
Nonlinearity	0.05% of R.O.(300tf~500tf : 0.1%)	0.02% of R.O.
Hysteresis	0.05% of R.O.(300tf~500tf : 0.1%)	0.02% of R.O.
Repeatability	0.03% of R.O.(300tf~500tf : 0.05%)	0.02% of R.O.
Zero balance	±2% of R.O.	±2% of R.O.
Temperature effect, on rated output	0.05% of LOAD/10°C	0.03% of LOAD/10°C
Temperature effect, on zero balance	0.05% of R.O./10°C	0.03% of R.O./10°C
Temperature range, compensated	-10~60°C	-10~60°C
Temperature range, safe	-20~80°C	-20~80°C
Terminal resistance input	700±5Ω	700±50Ω
Terminal resistance output	700±3Ω	700 ±3Ω
Insulation resistance bridge/case	2000MΩ	2000MΩ
Excitation recommended	10V	10V
Safe overload	150% R.C.	150% R.C.
Cable length	Ø7mm 4core, 3m	Ø7mm 4core, 3m

> DIMENSIONS TABLE

unit:mm

Capacity	ØA	B	ØC	D	E	F	G	H	Weight(kg)
500kgf (4.903kN)	88	25	22	1.5	6-Ø6.5	75	108	M12×1.25	1
1tf (9.807kN)	118	46	43	1.5	8-Ø9	100	153	M18×1.5	3
2tf (19.61kN)	118	46	43	1.5	8-Ø9	100	153	M18×1.5	
5tf (49.03kN)	118	46	43	1.5	8-Ø9	100	153	M18×1.5	
10tf (98.07kN)	178	65	43	11	8-Ø13	155	215	M24×2	
20tf (196.1kN)	178	65	43	11	8-Ø13	155	215	M39×2	9
50tf (490.3kN)	226	100	43	28.5	12-Ø18	190	266	M50×2	23
100tf (980.7kN)	310	130	43	43.5	16-Ø22	260	350	M76×3	60
200tf (1961kN)	380	170	43	63	16-Ø38	315	420	M100×3	90
300tf (2942kN)	450	200	50	75	16-Ø45	365	490	M140×3	180
500tf (4903kN)	496	300	70	115	16-Ø52	420	536	M180×3	245
1000tf(9800kN)	Custom size								

★Specifications are subject to change without notice.