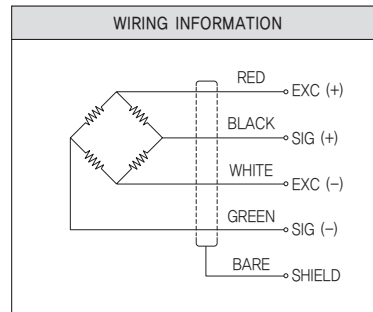
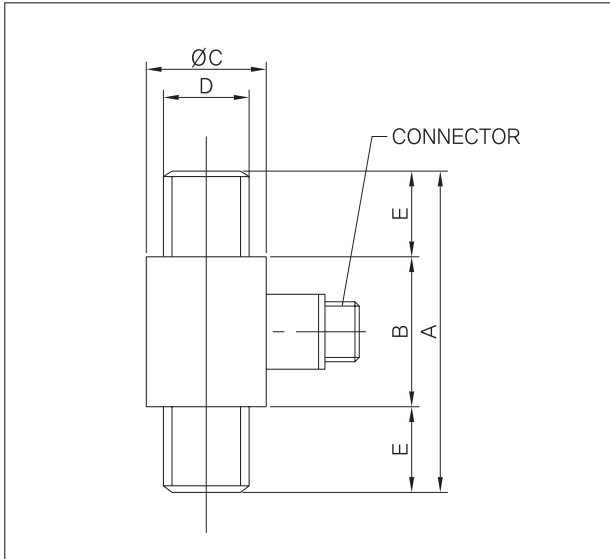
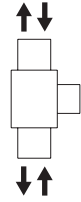


COMPRESSION & TENSION LOAD CELL

> Model TX25

Model TX25 load cells measure both tension & compression load force. Applications include performance testers for automotive industry.



> SPECIFICATIONS

Specifications	Accuracy
Rated capacity(R.C.)	k100, k200, k500, 1tf, 2tf, 3tf, 5tf, 10tf, 20tf, 50tf, 100tf, 200tf, 300tf
Rated output(R.O.)	1mV/V±1%
Nonlinearity	0.15% of R.O.
Hysteresis	0.15% of R.O.
Reperatability	0.1% of R.O.
Creep	0.05% of R.O.
Zero balance	±1% of R.O.
Excitation recommended	10V
Terminal resistance input, output	350Ω ±1%
Insulation resistance bridge	2000MΩ
Temperature range, compensated	-10~60°C
Temperature range, safe	-20~80°C
Temp. effect on rated output	±0.01% of LOAD/10°C
Temperature effect, on zero balance	±0.02% of R.O./10°C
Safe overload	120% R.C.
Cable length	Ø5, 4core, 3m

> DIMENSIONS TABLE

Model	Capacity	A	B	ØC	D	E	Weight(kg)
TX25-K100	100kgf (980.7N)	75	35	28	M16×1.5	20	0.5
TX25-K200	200kgf (1,961kN)	75	35	28	M16×1.5	20	
TX25-K500	500kgf (4,903kN)	75	35	28	M16×1.5	20	
TX25-T1	1tf (9,807kN)	75	35	28	M20×1.5	20	
TX25-T2	2tf (19,61kN)	75	35	28	M20×1.5	20	
TX25-T3	3tf (29,42kN)	75	35	28	M20×1.5	20	0.7
TX25-T5	5tf (49,03kN)	75	35	33	M24×2	20	
TX25-T10	10tf (98,07kN)	170	100	62.5	M39×2	35	2.5
TX25-T20	20tf (196,1kN)	190	100	63	M39×2	50	2.8
TX25-T50	50tf (490,3kN)	245	105	85	M64×2	70	7.5
TX25-T100	100tf (980,7kN)	340	140	115	M80×2	100	18
TX25-T200	200tf (1961kN)	390	160	150	M110×2	115	36
TX25-T300	300tf (2942kN)	450	194	169	M125×4	128	46

★Specifications are subject to change without notice.