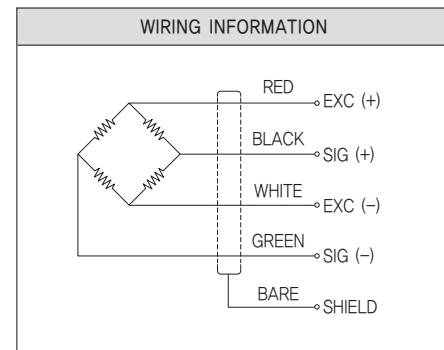
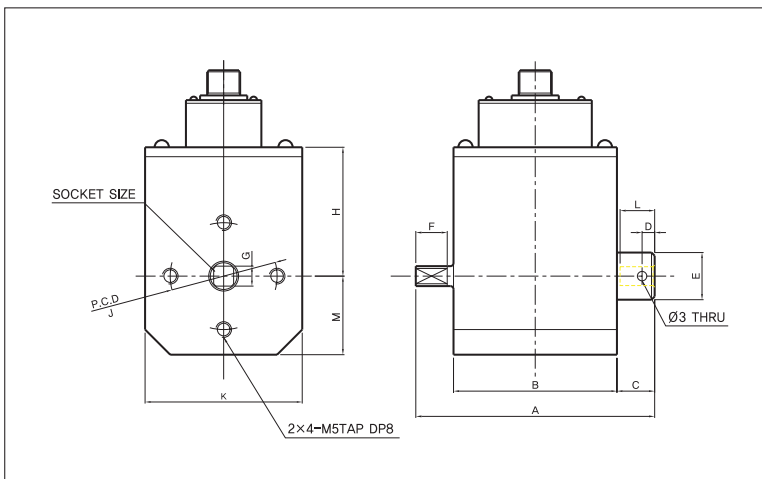


# SOCKET WRENCH ROTARY TORQUE SENSORS

## > Model TRS

TRS socket wrench torque sensors are used for fast, accurate measurement of bolt or nut wrenching torque. This model operates in both directions so tightening and break-away torques can be measured. It can also be used to check the calibration of mechanical torque wrenches.



## > SPECIFICATIONS

Specifications	Accuracy
Rated capacity (R.C.)	2kgf-cm~3000kgf-cm (0.196N-m~294.2N-m)
Rated output (R.O.)	1.3mV/V±1%
Nonlinearity	0.3%R.O
Hysteresis	0.3%R.O
Repeatability	0.3%R.O
Terminal resistance, input	350±3.5Ω
Terminal resistance, output	350±3.5Ω
Insulation resistance	300MΩ
Temperature range, compensated	-10℃~60℃
Temperature range, safe	-20℃~70℃
Safe overload	150%R.C
Temperature effect, on zero balance	0.05%R.O/10℃
Temperature effect, on rated output	0.1% Load/10℃
Excitation recommended	10V DC
Safe overload	150% R.C.
Cable	Ø4 Shield 3m

## > DIMENSIONS TABLE

unit:mm

Capacity	Socket Size	A	B	C	D	ØE	F	G	M	K	L	J	H
2, 5, 10kgf-cm (0.196N-m, 0.490N-m, 0.980N-m)	1/4"	76	52	12	4	15	10	6.35	25	50	11	34	41
20, 50kgf-cm (1.961N-m, 4.903N-m)	3/8"	82	56	12	4	15	12.5	9.53	25	50	13	34	41
100, 300kgf-cm (9.807N-m, 29.42N-m)	1/2"	96	58.5	19.5	7	20	16	12.7	31	62	17	44	42
500, 1000kgf-cm (49.03N-m, 98.07N-m)	3/4"	106	58	24	10	30	22	19.1	34	68	22	52	53
2000, 3000kgf-cm (196.12N-m, 294.20N-m)	1"	123	58	33	14	40	29.2	25.4	39	78	28	62	54

★Specifications are subject to change without notice.