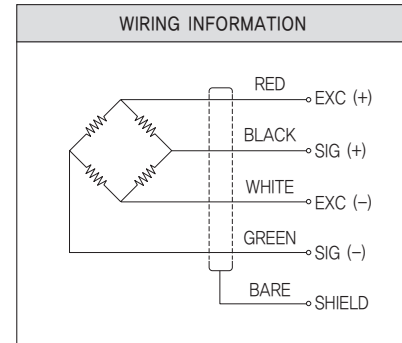
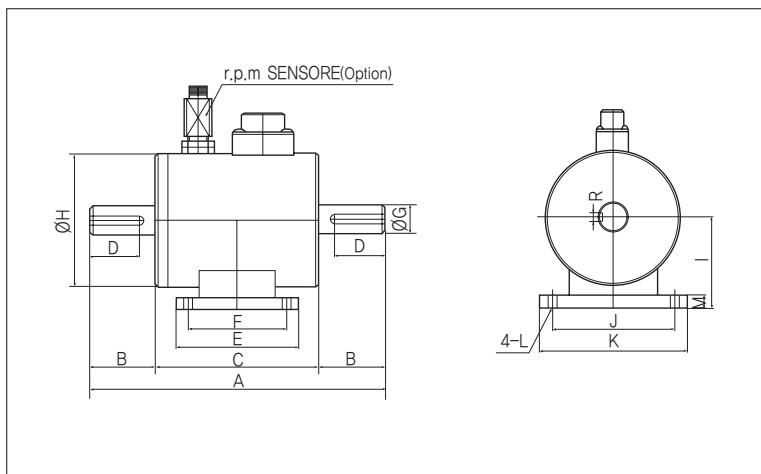
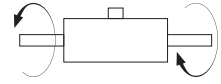


SHAFT TYPE TORQUE SENSORS

> Model TRB

Model TRB load cell measure the torque of continuous rotating object. Platinum coated connector provides long term signal stability and high accuracy. These models are most appropriate for industrial measurement. Applications include the performance testers for automotive components such as clutches, transmissions, motors and pumps.

※Option : r.p.m. sensor, Foot mount.



> SPECIFICATIONS

Specifications	Accuracy
Rated capacity(R.C.)	1~2000kgf-m (9.807N-m~19.61kN-m)
Rated output(R.O.)	1.5mV/V±1%(1~5kgf-m:1mV/V)
Nonlinearity	0.3%R.O.
Hysteresis	0.2%R.O.
Repeatability	0.3%R.O.
Excitation recommended	10V
Terminal resistance	350Ω ±5%
Insulation resistance bridge	200MΩ
Temperature effect, on rated output	0.2% Load/10℃
Temperature effect, on zero balance	0.3% R.O/10℃
Safe overload	120% R.C.
Cable length	Ø7.4core cable 3m

> DIMENSIONS TABLE

unit:mm

Model	Capacity	A	B	C	D	E	F	ØG	ØH	I	J	K	ØL	M	R	R.P.M	Weight(kg)
TRB-1K	1kgf-m (9.807N-m)	191	43	105	38	68	50	18	72	41	72	86	7	8.5	5×5	5000	3
TRB-2K	2kgf-m (19.61N-m)	191	43	105	38	68	50	18	72	41	72	86	7	8.5	5×5	5000	
TRB-5K	5kgf-m (49.03N-m)	191	43	105	38	68	50	18	72	41	72	86	7	8.5	5×5	5000	
TRB-10K	10kgf-m (98.07N-m)	260	55	150	40	100	84	32	100	63	98	115	7	12	10×8	5000	7
TRB-20K	20kgf-m (196.1N-m)	260	55	150	40	100	84	32	100	63	98	115	7	12	10×8	4000	
TRB-50K	50kgf-m (490.3N-m)	310	80	150	70	120	98	47	118	75	124	148	9	15	12×8	4000	12
TRB-100K	100kgf-m (980.7N-m)	310	80	150	75	120	98	47	118	75	124	148	9	15	12×8	4000	
TRB-200K	200kgf-m (1.961kN-m)	375	100	175	85	120	98	63	135	90	150	180	10.5	20	18×11	4000	25
TRB-300K	300kgf-m (2.942kN-m)	375	100	175	85	120	98	63	135	90	150	180	10.5	20	18×11	3000	
TRB-500k	500kgf-m (4.903kN-m)	500	140	220	115	148	118	90	170	114	162	192	11	26	25×14	3000	55
TRB-1000k	1000kgf-m (9.807kN-m)	500	140	220	115	148	118	90	170	114	162	192	11	26	25×14	3000	
TRB-2000k	2000kgf-m (19.61kN-m)	680	208	264	160	210	172	115	210	138	190	230	13	26	32×18	3000	100

★Specifications are subject to change without notice.