

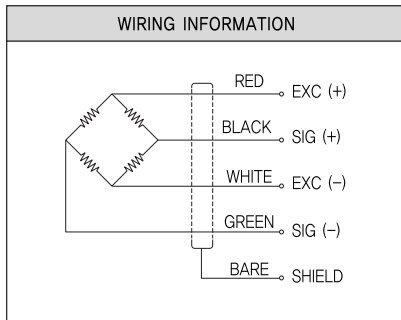
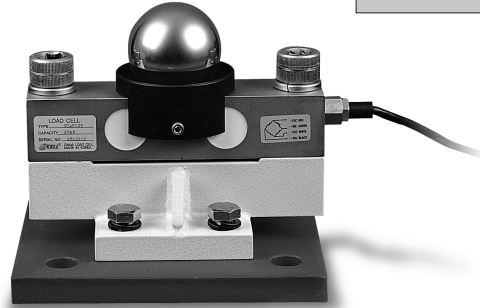
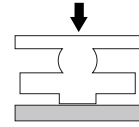
TRUCK SCALE LOAD CELL

> Model CT

Capacity: 20tf, 25tf, 30tf.

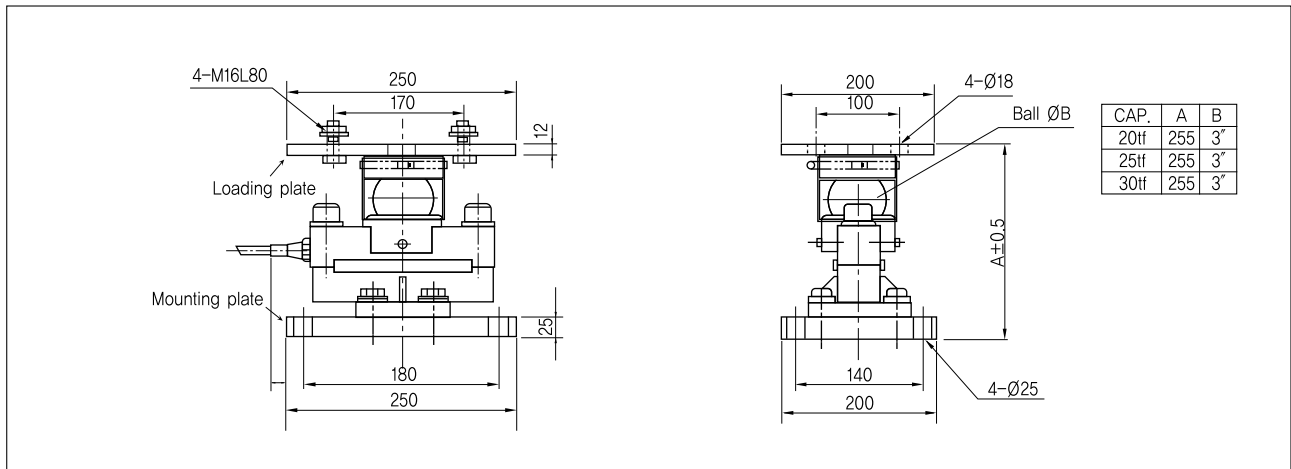
The Model CT, Double-Ended Shear Beam Load Cell is ideally suited for use in Truck Scales for heavy-duty, high-capacity weighing.

Protection Class IP67



ORDERING INFORMATION

CT-T25-FS : Full sets - 34kg
 CT-T25-BC : Loadcell, Ball, Cup and Cap - 16kg
 CT-T25-LC : Only loadcell - 14kg
 ↖ T20, T25, T30



> SPECIFICATIONS

Specifications	Accuracy
Rated capacity(R.C)	20tf, 25tf, 30tf (196.1kN, 245.2kN, 294kN)
Rated output(R.O)	2mV/V±0.2%
Nonlinearity	0.03% of R.O.
Hysteresis	0.02% of R.O.
Repeatability	0.02% of R.O.
Creep(20min)	0.025% of R.O.
Zero balance	±2% of R.O.
Temperature effect, on rated output	0.02% of LOAD/10°C
Temperature effect, on zero balance	0.03% of R.O./10°C
Temperature range, compensated	-10~+70°C
Temperature range, safe	-20~+80°C
Terminal resistance input	800±30Ω
Terminal resistance output	700±2Ω
Insulation resistance bridge/case	2000MΩ
Excitation recommended	10V
Safe overload	150% R.C.
Cable length	Ø7±0.3mm 4core, 10m

★Specifications are subject to change without notice.