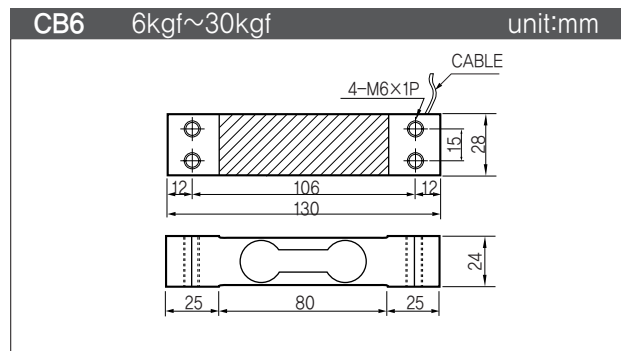
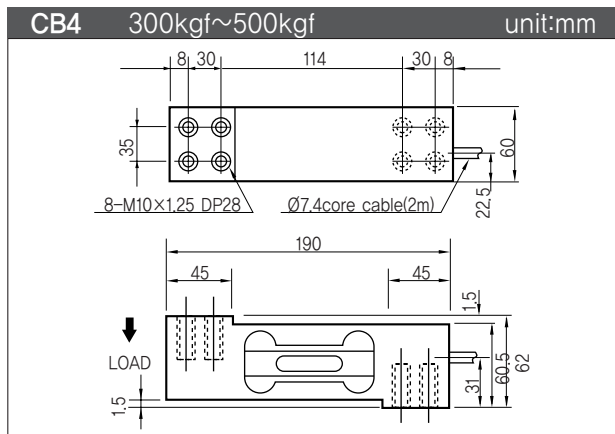
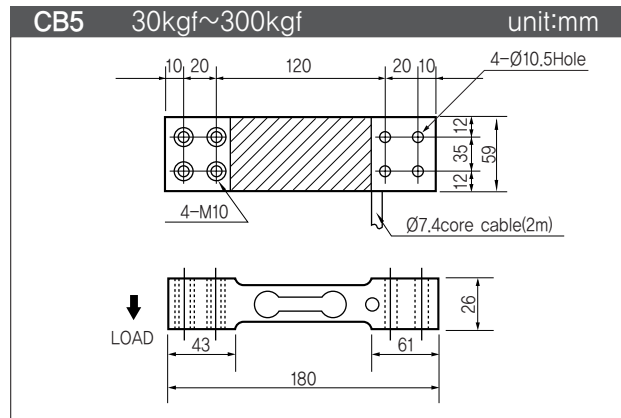
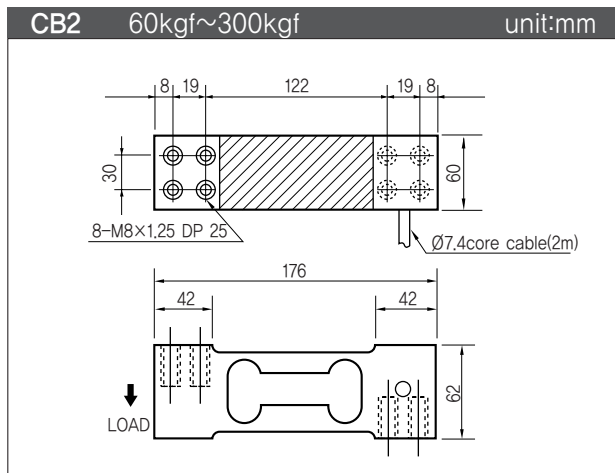
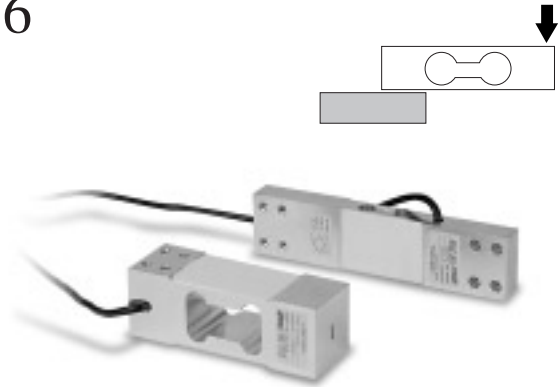


BENDING BEAM LOAD CELLS

> Model CB2, CB4, CB5, CB6

This strain gage load cell has developed newly as a electronic "Scale" for commercial purpose, with the characteristics of high accuracy and low price. Compared with another mechanical means, this load cell provides small displacement. Due to electronic output, it is easy to treat various treatments. Protection Class IP65



> SPECIFICATIONS

Specifications	Accuracy			
	CB2	CB4	CB5	CB6
Rated capacity(R.C)	60, 100, 250, 300kgf (588.4N, 980.7N, 2,452kN, 2,942kN)	300, 500kgf (2,942kN, 4,903kN)	30, 50, 100, 150, 300kgf (294.2N, 490.3N, 980.7N, 1,471kN, 2,942kN)	6, 10, 25, 30kgf (5.884N, 98.07N, 245.2N, 294.2N)
Rated output(R.O)	2mV/V±10%	2mV/V±10%	1.5mV/V±10%	2mV/V±10%
Nonlinearity	0.02% of R.O.	0.02% of R.O.	0.02% of R.O.	0.02% of R.O.
Hysteresis	0.02% of R.O.	0.02% of R.O.	0.02% of R.O.	0.02% of R.O.
Repeatability	0.02% of R.O.	0.02% of R.O.	0.02% of R.O.	0.02% of R.O.
Creep(20min)	0.03% of R.O.	0.03% of R.O.	0.03% of R.O.	0.03% of R.O.
Zero balance	±5% of R.O.	±5% of R.O.	±5% of R.O.	±5% of R.O.
Terminal resistance input	420±20Ω	420±20Ω	420±20Ω	420±20Ω
Terminal resistance output	350±20Ω	350±20Ω	350±20Ω	350±20Ω
Insulation resistance bridge	2000MΩ	2000MΩ	2000MΩ	2000MΩ
Temperature effect on rated output	0.02% of LOAD/10°C	0.02% of LOAD/10°C	0.02% of LOAD/10°C	0.02% of LOAD/10°C
Temperature effect on zero balance	0.05% of R.O./10°C	0.05% of R.O./10°C	0.05% of R.O./10°C	0.05% of R.O./10°C
Temperature range, compensated	-10~50°C	-10~50°C	-10~50°C	-10~50°C
Temperature range, safe	-10~50°C	-10~50°C	-10~50°C	-10~50°C
Excitation recommended	10V	10V	10V	10V
Safe overload	150% R.C.	150% R.C.	150% R.C.	150% R.C.
Cable length	Ø7 4CORE, 2m	Ø7 4CORE, 2m	Ø7 4CORE, 2m	Ø5 4CORE, 40Cm
Allowable Maximum Platform Size	400 X 600mm	450 X 650mm	400 X 500mm	300 X 300mm
Weight(kg)	1.5	1.6	0.9	0.4
Wiring Information	EXC- : RED, EXC+ : White, SIG+ : Black, SIG- : Green			

★Specifications are subject to change without notice.