



# DUROMETER (RUBBER, PLASTIC HARDNESS TESTER)

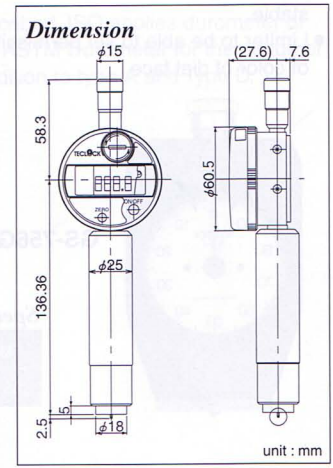
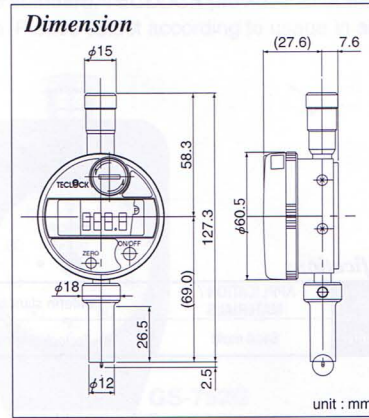
## Deep Hole / Long Leg Type Digital Durometer



**GSD-719SH**  
Type A Durometer  
Deep hole (H) model



**GSD-719SL**  
Type A Durometer  
Long leg (L) model



### Specifications

Model	Type	Application / Materials	Standards	Spring Load 0 - 100	Shape of Indentor (mm)	Height of Indentor (mm)	Weight (g)
GSD-719SH	Type A Deep hole model	General rubber	JIS K 6253, JIS K 7215, ISO7619, ISO868, ASTM D 2240	550-8050mN (56.1-821.1gf)	Truncated cone of $\phi$ 0.79 with 35° angle	2.50	170
GSD-720SH	Type D Deep hole model	Hard rubber	JIS K 6253, JIS K 7215, ISO7619, ISO868, ASTM D 2240	0-44450mN (0-4533gf)	Conical corn of R 0.1 with 30° angle	2.50	170
GSD-719SL	Type A Long leg model	General rubber	JIS K 6253, JIS K 7215, ISO7619, ISO868, ASTM D 2240, DIN53 505*	550-8050mN (56.1-821.1gf)	Truncated cone of $\phi$ 0.79 with 35° angle	2.50	380
GSD-720SL	Type D Long leg model	Hard rubber	JIS K 6253, JIS K 7215, ISO7619, ISO868, ASTM D 2240, DIN53 505*	0-44450mN (0-4533gf)	Conical corn of R 0.1 with 30° angle	2.50	380

\*Permissible value such as edge diameter prescribed in DIN and spring load value is the value complying with ISO.

## Constant Pressure Load Instrument for Durometer



**GS-710**

Durometer is option



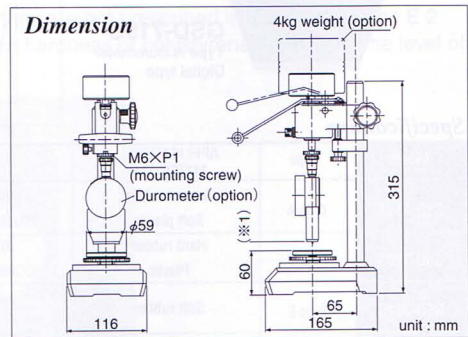
**4kg weight**  
ZY-046 (option)

### Specifications

Model	Weight
GS-710	7kg
ZY-046	4kg

Load Value	Applicable Durometer type
About 1kg	A, B, E, A (old), SRIS, O
About 5kg	D, C, DO, C (old)

※ Dimension  
 (※1) Maximum workpiece Thickness  
 Digital Durometer : 20mm  
 Analog Durometer : 63mm



## Durometer Tester GS-707 Series



**GS-707**

Durometer is option

This is an calibration instrument to simply confirm spring load value of analog type durometer. It inspects whether dial 25, 50 and 75 are correctly indicating by providing prescribed load to inverted durometer with 3 pieces of standard weight. Calibration Certificate for analog type durometers can be issued on request (option) but it is not available for Digital Durometer calibration method that durometer is erect condition by using mechanism of balance is introduced in domestic and international standard.

### Specifications

Model	Applicable Durometer model	Weight (kg)
GS-707	GS-701N/GS-701G/GS-706N/GS-706G	3.7
GS-707A	GS-709N/GS-709G	3.7
GS-707B	GS-719N/GS-719G/GS-721N/GS-721G	3.7

