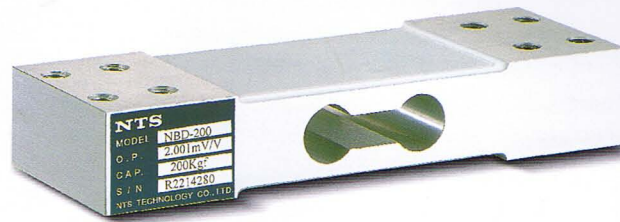


SINGLE POINT LOAD CELL

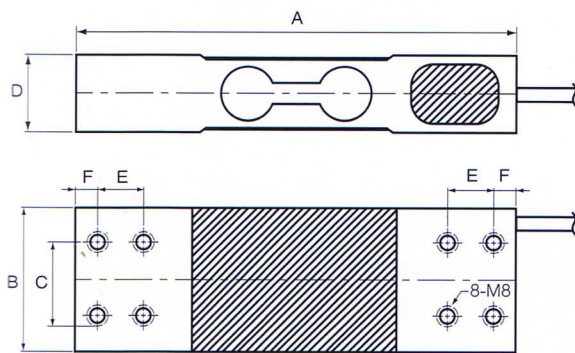
MODEL: **NBD**

Applications

- Bench Scale
- Platform Scale



Outline



Standard Specifications

| | |
|---|--|
| Rated Capacity..... | 1KN~7.5KN |
| Rated Output..... | $2 \pm 0.05 \text{mV/V}$ |
| Zero Balance..... | $\pm 0.03\% \text{R.O.}$ |
| Creep Error (20 minutes)..... | $\pm 0.025\% \text{R.O.}$ |
| Repeatability..... | $\pm 0.02\% \text{R.O.}$ |
| Recommended Input Voltage..... | 10V |
| Maximum Input Voltage..... | 15V |
| Input Resistance..... | $414 \pm 3\Omega$ |
| Output Resistance..... | $350 \pm 3\Omega$ |
| Compensated Temperature Range..... | $-10 \sim +40 \text{ }^\circ\text{C}$ |
| Operating Temperature Range..... | $-20 \sim +60 \text{ }^\circ\text{C}$ |
| Temperature Effect on Zero Balance..... | $\pm 0.01\% \text{R.O./}^\circ\text{C}$ |
| Temperature Effect on Rated Output..... | $\pm 0.01\% / ^\circ\text{C}$ |
| Safe Overload Rating..... | 150%R.C. |
| Ultimate Load..... | 200%R.C. |
| Material..... | Aluminum |
| Sealing..... | Potted |
| Protection Class..... | IP 65 |
| Maximum Platform Size..... | 600x600mm |
| Cable..... | $\phi 6$ shielded wire round cable 2m long |

Dimensions

| MODEL | ITEM | RATED CAPACITY | | A | B | C | D | E | F |
|-----------|------|----------------|----------|-----|----|----|----|----|---|
| NBD-1KN | | 1KN | 101.9kgf | 174 | 60 | 30 | 30 | 19 | 7 |
| NBD-1.5KN | | 1.5KN | 152.9kgf | 174 | 60 | 30 | 30 | 19 | 7 |
| NBD-2KN | | 2KN | 203.9kgf | 174 | 60 | 30 | 30 | 19 | 7 |
| NBD-3KN | | 3KN | 305.9kgf | 174 | 60 | 30 | 30 | 19 | 7 |
| NBD-5KN | | 5KN | 509.9kgf | 174 | 60 | 30 | 30 | 19 | 7 |
| NBD-7.5KN | | 7.5KN | 764.8kgf | 174 | 60 | 30 | 30 | 19 | 7 |

UNIT: mm