

# TENSION & COMPRESSION TYPE LOAD CELL

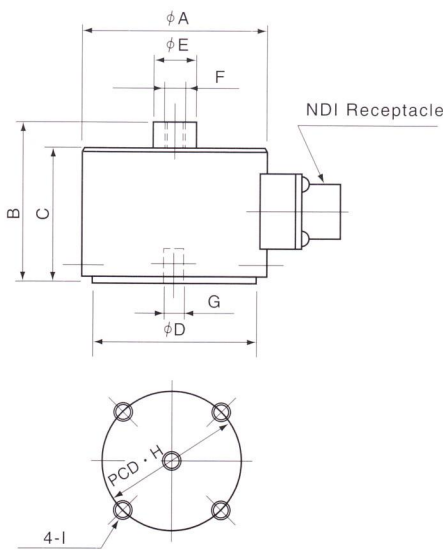
MODEL: **LRM** 0.05% grade

## Features

Assuring minimum error of output and compactly designed, commonly used for low capacity range of compression and tension control by use of connecting thread at both sides. High precision, high output and economical cost.



## Outline



## Standard Specifications

Rated Capacity.....	20N~20KN
Rated Output.....	2mV/V ± 1% (20N~50N is 1mV/V, 100N is 1.5mV/V)
Non-Linearity.....	0.05%R.O.
Hysteresis.....	0.05%R.O.
Repeatability.....	0.05%R.O.
Recommended Input Voltage.....	10V (20N~50N is 5V)
Maximum Input Voltage.....	18V (20N~50N is 10V)
Input/Output Resistance.....	350Ω ± 1%
Insulation Resistance.....	>2000MΩ
Compensated Temperature Range.....	-10~+70 °C
Operating Temperature Range.....	-20~+100 °C
Temperature Effect on Zero Balance.....	± 0.01%R.O./°C
Temperature Effect on Rated Output.....	± 0.01%/°C
Safe Overload Rating.....	120%R.C.
Cable.....	φ 6, 4-conductor shielded cable 3m long

## Dimensions

MODEL	ITEM	RATED CAPACITY	φ A	B	C	φ D	φ E	F	G	H	I	WEIGHT(kg)
LRM-20N		20N 2.039kgf	52	45	38	47	12	M6 P1 Deep 8	M6 P1 Deep 6	38	M4 Deep 6	0.26
LRM-50N		50N 5.099kgf	52	45	38	47	12	M6 P1 Deep 8	M6 P1 Deep 6	38	M4 Deep 6	0.26
LRM-100N		100N 10.19kgf	63	60	55	55	20	M10 P1.5 Deep 15	M10 P1.5 Deep 15	40	M5 Deep 10	0.95
LRM-200N		200N 20.39kgf	63	60	55	55	20	M10 P1.5 Deep 15	M10 P1.5 Deep 15	40	M5 Deep 10	0.95
LRM-500N		500N 50.99kgf	63	60	55	55	20	M10 P1.5 Deep 15	M10 P1.5 Deep 15	40	M5 Deep 10	0.95
LRM-1KN		1KN 101.9kgf	70	65	60	64	20	M10 P1.5 Deep 15	M10 P1.5 Deep 15	40	M5 Deep 10	1.30
LRM-2KN		2KN 203.9kgf	70	65	60	64	20	M10 P1.5 Deep 15	M10 P1.5 Deep 15	40	M5 Deep 10	1.30
LRM-5KN		5KN 509.9kgf	70	85	85	60	--	M12 P1.75 Deep 15	M12 P1.75 Deep 15	40	M5 Deep 10	1.70
LRM-10KN		10KN 1.019tonf	88	110	110	80	--	M18 P1.5 Deep 22	M18 P1.5 Deep 22	60	M8 Deep 12	3.50
LRM-20KN		20KN 2.039tonf	98	110	110	90	--	M18 P1.5 Deep 22	M18 P1.5 Deep 22	60	M8 Deep 12	4.20

UNIT: mm