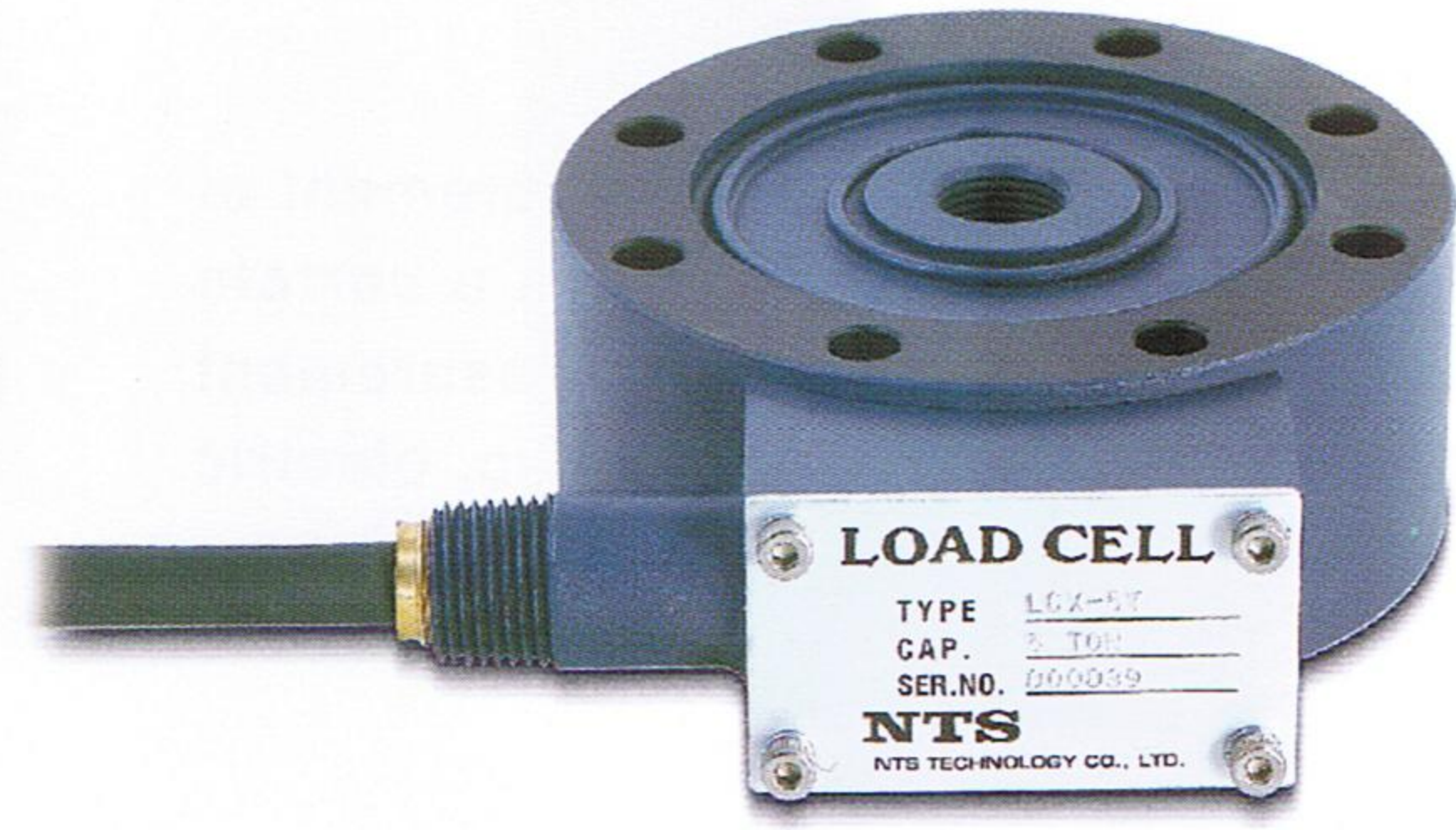


# HIGH ACCURACY COMPRESSION TYPE LOAD CELL

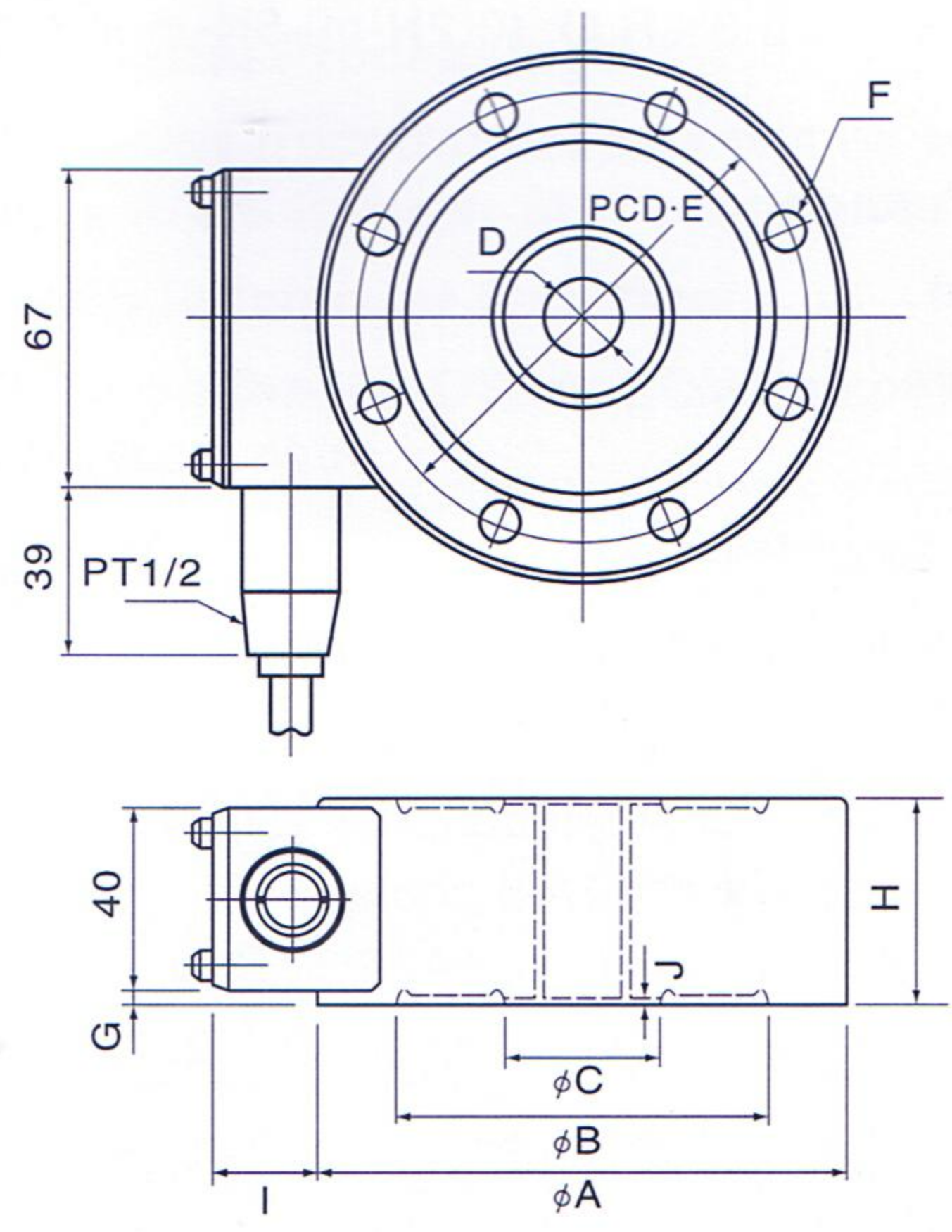
MODEL: **LCX** 0.05% grade

## Features

Thin model in spite of high capacity range, with threaded center hole. High precision and high output besides of high toughness against horizontal pressure and twisting momentum.



## Outline



## Standard Specifications

- Rated Capacity..... 5KN~2000KN
- Rated Output..... 2mV/V± 0.25%
- Non-Linearity..... 0.05%R.O.
- Hysteresis..... 0.05%R.O.
- Repeatability..... 0.03%R.O.
- Recommended Input Voltage..... 10V
- Maximum Input Voltage..... 18V
- Input/Output Resistance..... 350Ω±1%
- Insulation Resistance..... >2000MΩ
- Compensated Temperature Range..... -10~+70°C
- Operating Temperature Range..... -20~+100°C
- Temperature Effect on Zero Balance..... ±0.005%R.O./°C
- Temperature Effect on Rated Output..... ±0.005%/°C
- Safe Overload Rating..... 150%R.C.
- Cable..... φ 10, 4-conductor shielded cable 3m long

## Dimensions

MODEL	ITEM	RATED CAPACITY	φ A	φ B	φ C	D	E	F	G	H	I	J	WEIGHT(kg)
LCX-5KN		5KN 0.509tonf	118	82	36	M18 P1.5	100	8-φ9	3	46	(25)	1	3.20
LCX-10KN		10KN 1.019tonf	118	82	36	M18 P1.5	100	8-φ9	3	46	(25)	1	3.20
LCX-20KN		20KN 2.039tonf	118	82	36	M18 P1.5	100	8-φ9	3	46	(25)	1	3.20
LCX-50KN		50KN 5.099tonf	118	82	36	M18 P1.5	100	8-φ9	3	46	(25)	1	3.20
LCX-100KN		100KN 10.19tonf	138	94	48	M24 P2	116	8-φ11	5	50	(25)	1	5.00
LCX-200KN		200KN 20.39tonf	182	126	76	M39 P2	154	8-φ14	10	60	(28)	1	9.65
LCX-500KN		500KN 50.99tonf	226	153	92	M50 P2	190	12-φ18	25	90	(28)	1	21.50
LCX-1000KN		1000KN 101.9tonf	310	200	138	M76 P3	256	8-φ26	35	110	(28)	2	60.00
LCX-2000KN		2000KN 203.9tonf	370	252	160	M100 P3	314	12-φ26	55	150	(28)	2	95.00