

BRAVO

By **Tech Quality Co.,Ltd.**



Digital Force Gauge With External Load cell

New The XDFG Series Digital Force Gauge marks a new Large LCD display and touch key in digital force measurement. This compact, easy-to-use force gauge is designed for economy applications without compromising functionality. Ideal for hand held or test stand applications. The XDFG Series is available with capacities from 2 N to 1000N

Specification

Accuracy : +/- 0.2%FS
 Capacitive Touch Key Operations
 Automatic reversible display
 Overload Protection Mechanism 150%
 Memory : 1000 Data (Auto or Manual record)
 High and low set point
 5 Point Calibration Linearization.
 Battery Life : Approx 16 hours
 Power : 3.6Vdc 800MAH Ni-MH rechargeable
 Charger : USB/BM Charge 110-220VAC
 Selectable Unit : mN, N, gf, kgf and lbf
 Mode : Peak, Auto Peak or Track
 Data Sampling Rate : 1000 Hz
 Dimensions : 160*73*34 mm
 Weight : 0.6 kg

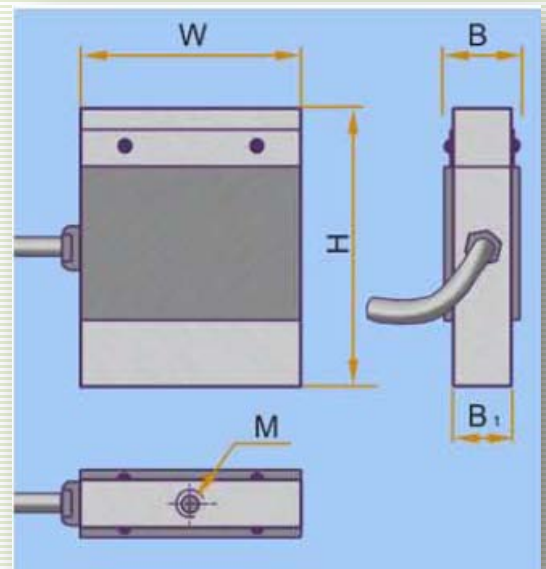
Model	Capacity	Resolution	Load cell Model	Load cell Type
XDFG-1	1KN	1N	LRK-1KN	S
XDFG-2	2KN	1N	LRK-2KN	S
XDFG-5	5KN	1N	LRK-5KN	S
XDFG-10	10KN	10N	LRK-10KN	S
XDFG-20	20KN	10N	LRK-20KN	S

S-Type Load Cell

Rate Output 2.0+/- 1% mV/V
 Non-Linearity 0.03%FS
 Hysteresis 0.03%FS
 Output Impedance 350+/- Ohm
 Protection Class IP67
 Safe Overload 150% FS

Load Cell Specification

Model	Capacity	W	H	B	B1	M
LRK-1KN	1KN	50.8	76.2	30	25.4	M12x1.75
LRK-2KN	2KN			25.4	19.1	
LRK-5KN	5KN			31.8	25.4	
LRK-10KN	10KN	76.2	108	31.8	25.4	M18x1.5
LRK-20KN	20KN					



Tech Quality Co.,Ltd. 2/13 Sukapiban 2 Rd., Pravet, Bangkok
 Thailand 10250 Tel : +662 3286878

www.tech-quality.com Email : info@tech-quality.com

SPECIFICATION TO CHANGE WITHOUT NOTICE

BRAVO

By Tech Quality Co.,Ltd.

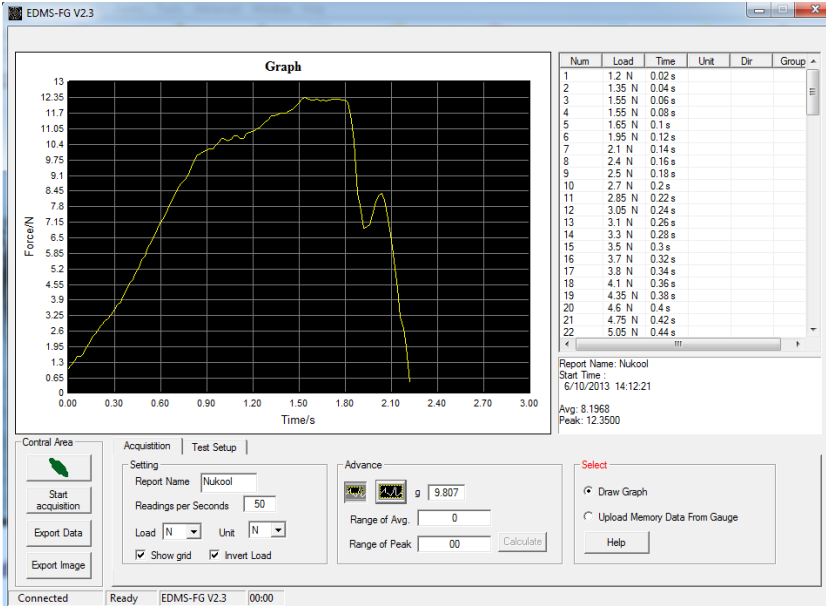
Software Force Gauge

BRAVO software expands the functionality of your BRAVO Series digital force gauge. This all-new and easy-to-use Windows-based package interfaces directly to your digital force gauge. You may perform break tests, limits tests and Preload setup. You can download database results from the gauge

Features

- Simple to Setup and Operate
- Export Data an Image to Excel
- Preload Test Setup
- Pull to limit Setup
- Pull to Break Setup
- Compress to limit Setup
- Pull to Rupture Setup
- Download database results from the gauge

Accessories: hook, flat tip, conical tip, chisel tip, notched tip, extension shaft



1. Main body



3. User's manual



4. Measuring head



Hook



Flat tip



Conical tip



Notched tip



Chisel tip



Extension shaft

5. USB data line



2. Charger

